

Screwdriving technology

Automation

Air motors

Air tools

End-of-Arm-Tooling for Grinding and Polishing

- efficiency
- flexibility
- precision
- highly durable

Our air stationary grinder is designed as a customised customer solution to be used in a connection with an industrial robot, especially in mass productions.

The special grinding head is designed to hold a DEPRAG INDUSTRIAL grinding spindle and is equipped with a flange for subsequent connection to the selected industrial robot. In order to reach optimal grinding characteristics, the downforce of the spindle holding the grinding insert is regulated by air.



DEPRAG CZ a.s.
- Your Partner
for Grinding Technology

Applications

- grinding and polishing of flat or curved surfaces in the automotive industry
- treatment of forms, dies and punches
- finishing of different types of cast iron parts, welding seams, deburring of edges or any other surface work in various industries and hard-to-access areas

Would you like to increase the efficiency and productivity of your production? Do you have a high waste rate in your production? Are you thinking about installing a robot to your production in order to lower your costs?

DEPRAG CZ a.s offers:

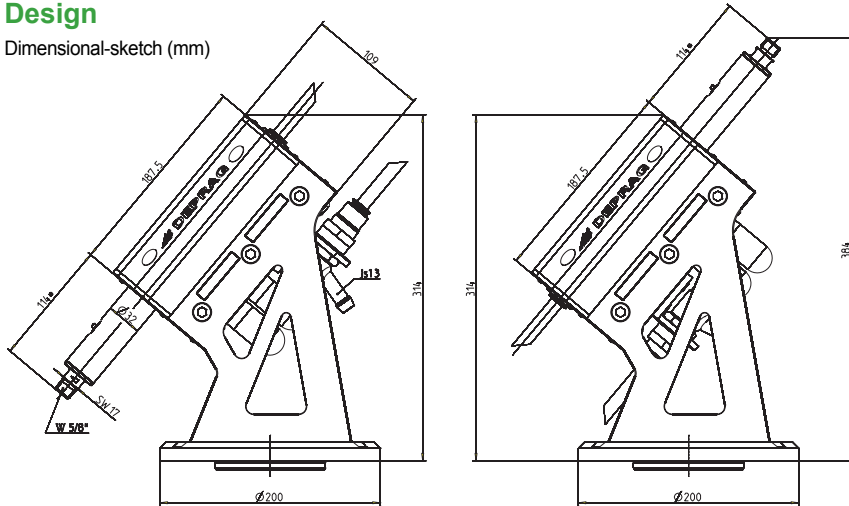
- independent consultation in your facilities and evaluation of the possibility to use an industrial robot for grinding and polishing applications
- price quotation including a 3-D model
- selection and testing of all components for optimum grinding or polishing results
- complete engineering services incl. design, production, assembly and integration to your production process



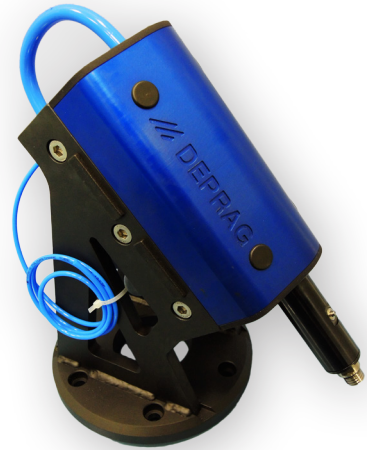
SPECIFICATIONS - STATIONARY GRINDER

Design

Dimensional-sketch (mm)



DESIGN A * fully extended (Stroke = 20 mm/.79 in) DESIGN B



Stationary Grinder	Model	MA 070-153V/S1	
Remote Valve	Part No.	6061302A	
Max. power output	kW (hp)	0,7	(.94)
Speed (no load)	min ⁻¹ (rpm)	15 300	
Air consumption (no load)	m ³ /min (cfm)	0,28	(9.89)
Air consumption (at max. power)	m ³ /min (cfm)	0,7	(24.72)
Total weight with the extension	kg (lbs)	12,9	(28.4)
Weight - head Part No. 6022533A	kg (lbs)	5,45	(12.0)
Working stroke	mm (in)	20	(.79)
I.D. of air inlet hose	mm (in)	Lw 10	(.39)
Max. grinding disc-Ø	mm (in)	100	(3.9)
Sound pressure level LpA according ČSN EN ISO 15744	dB(A)	84 (uncertainty of measurement 3 dB)	
Sound pressure power LwA according ČSN EN ISO 15744	dB(A)	95 (uncertainty of measurement 3 dB)	

Specifications at 90 psi (6,3 bar)

Standard Equipment:	Part Number
Spanner 17 mm	800405

Force

Force (bar)	Power (N)
0,5	5
1	13
2	24
3	36
4	47
5	59
6	73
6,3	75

DEPRAG

DEPRAG CZ a.s., Lázně Bělohrad

DEPRAG CZ a.s., T. G. Masaryka 113, 507 81 Lázně Bělohrad - Czech Republic
 Tel.: +420-493 771 511, Fax: +420-493 771 623, E-mail: sales@deprag.cz, Internet: www.deprag.cz

